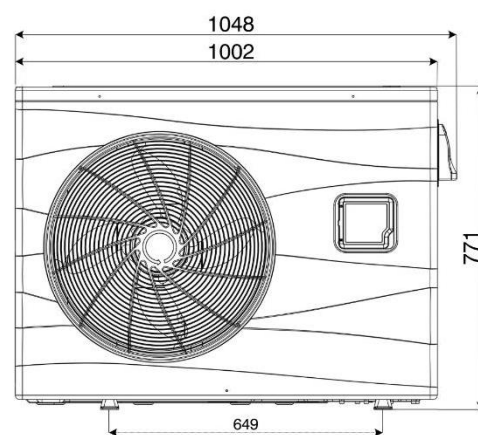




iX19

Heat Pump Specifications

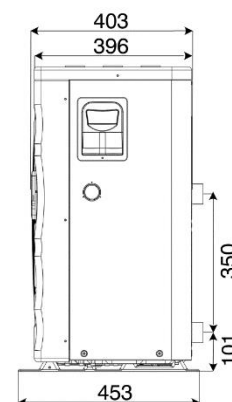


Air 27°C Water 26°C	Heating Capacity	kW	2.9 ~ 18.9
	Consumed Power	kW	0.42~ 3.1

Air 19°C Water 26°C	Heating Capacity	kW	2.6 ~ 17.0
	Consumed Power	kW	0.38 ~ 2.8

Air 15°C Water 29°C	Cooling Capacity	kW	2.4 ~ 12.5
	Consumed Power	kW	0.34 ~ 2.6

Technical Specifications	Operating Air Temperature	°C	-7.0 ~ 43.0
	PV Ready		Yes
	Rapid Heat		Yes
	Refrigerant		R32
	IPX Rating		IPX4
	Airflow	m ³ /h	3750
	Sound Pressure at 1m	dB(A)	44 ~ 56
	Net Dimensions	L x W x H	1048 x 453 x 771
	Shipping Dimensions	L x W x H	1130 x 480 x 780
	Net / Shipping Weight	Kg	60 / 74



Electrical	Power Supply	V/Ph/Hz	240/1/50
	Electrical connection		Hardwired
	Running Current input	per phase amp	13.9
Water	Connection	mm	40
	Flow Volume	l/m	70
	Pressure Drop	max kPa	6.0